

INCREMENTAL ENCODERS

ENC41

Basic Line

- Compact dimension $\varnothing 41\text{mm}$
- Hollow or solid shaft
- Cost effective
- Light duty



APPLICATIONS

- Working and assembling lines
- Packaging machinery
- Light conveyors



MECHANICAL AND ENVIRONMENTAL SPECIFICATIONS

Case dimension	$\varnothing 40.5\text{ mm}$, depth 34 mm
Shaft dimension	Hollow or solid shaft $\varnothing 6\text{ mm}$
Shaft loading (axial and radial)	20 N max.
Shaft rotational speed	6000 rpm max.
Starting torque at 20 °C	$\leq 0.3\text{ Ncm}$ (typ.)
Bearings life	10^9 min.
Weight	0.1 kg (3.5 oz) ca.
Case material	Fibre glass epoxy resin
Flange material	Aluminium anticorrosional UNI EN AW-6082
Shaft material	Stainless steel non-magnetic UNI EN 4305
Bearings material	ABEC 5
Mechanical protection	IP64
Shock resistance	100g, 6 ms (MIL STD 202F)
Vibration resistance	10 g, 5-2000 Hz (MIL STD 202F)
Operating temperature	-25 to +85°C (-13 to 185°F)
Storage temperature	-25 to +85°C (-13 to 185°F), 98% R.H. non condensing

Note: specifications subject to changes without prior notice, please refer to the user manual received with the product for mounting, wiring and operation.

ELECTRICAL SPECIFICATIONS

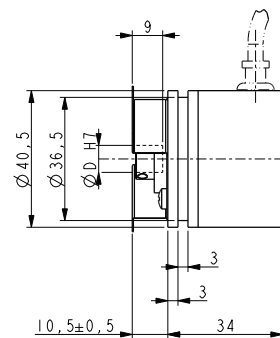
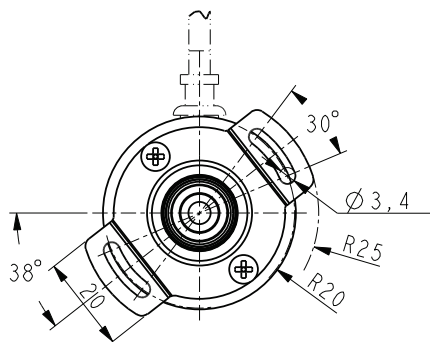
Resolution	100, 360, 500, 1000, 1024, 2048, 4096 PPR
Counting frequency	50 kHz max.
Output signals	A/B0 and /A/B/0
Output circuit	Smart Push-Pull & Line Driver
Power supply	5 – 30 Vdc
Consumption	50 mA max.
Output current	40 mA max (per each channel)
Connection	8-poles shielded cable 1.5m (on encoder side)
Protection	Polarity inversion and short circuit
EMC	According to EN61000-6-2 and EN61000-6-4
Light source	Ga-Al diodes
Optoelectronic life	> 100.000 hrs

ELECTRICAL CONNECTIONS

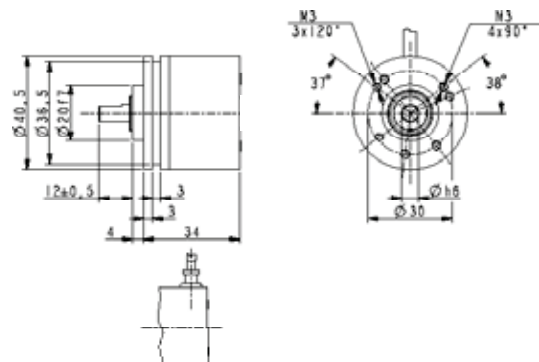
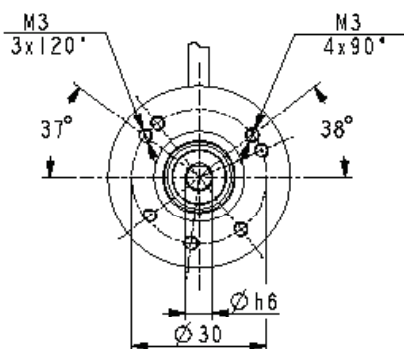
Signal	A	/A	B	/B	0	/0	+Vdc	0Vdc	Ground
Wire	Green	Yellow	Gray	Pink	Blue	Red	Brown	White	Shield

DIMENSIONS

HOLLOW SHAFT VERSION



SOLID SHAFT VERSION

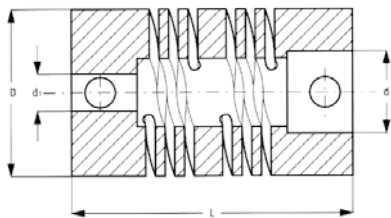


INCREMENTAL ENCODERS

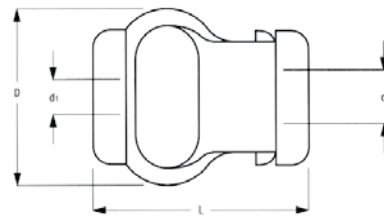
Model selection

BASIC LINE MODELS				
SHAFT	CONNECTION	RESOLUTION	MODEL	ORDER NO.
Hollow shaft ○ $\varnothing 6$ mm	Cable 1.5m	100 PPR	ENC41-H06-0100-C15	95B080070
		360 PPR	ENC41-H06-0360-C15	95B080080
		500 PPR	ENC41-H06-0500-C15	95B080090
		1000 PPR	ENC41-H06-1000-C15	95B080100
		1024 PPR	ENC41-H06-1024-C15	95B080110
		2048 PPR	ENC41-H06-2048-C15	95B080120
		4096 PPR	ENC41-H06-4096-C15	95B080130
Solid shaft ● $\varnothing 6$ mm	Cable 1.5m	100 PPR	ENC41-S06-0100-C15	95B080000
		360 PPR	ENC41-S06-0360-C15	95B080010
		500 PPR	ENC41-S06-0500-C15	95B080020
		1000 PPR	ENC41-S06-1000-C15	95B080030
		1024 PPR	ENC41-S06-1024-C15	95B080040
		2048 PPR	ENC41-S06-2048-C15	95B080050
		4096 PPR	ENC41-S06-4096-C15	95B080060

ACCESSORIES		
DESCRIPTION	MODEL	ORDER NO.
Flexible Aluminium coupling $\varnothing 6$ mm	FAC06-06	95B081300
Flexible standard plastic coupling $\varnothing 6$ mm	FBC06-06	95B081320



FAC06-06 (L=22/D=19/d=d1=6 mm)



FBC06-06 (L=29/D=22/d=d1=6 mm)

